

ACO Lint Filter Range for Laundry Installations

As an integral part of the Marine Wastewater Management system the ACO Lint Filter range is designed for installation at one or more laundry outlets.

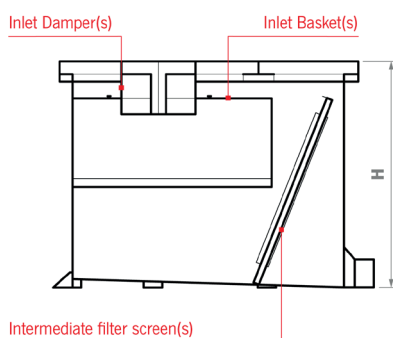
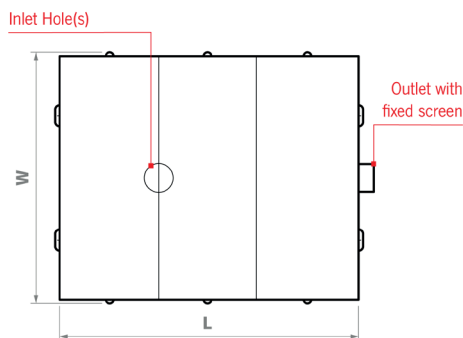
The removal of lint fibres at source is critical to ensuring optimum performance of the downstream wastewater treatment plant. These can easily be affected by fibre build up on membrane and filter surfaces as well as the potential for blockage of pumps, valves and pipework.

The ACO Lint Filter Range (ALF) is offered as standard with single, double or triple washing machine inlets.

Each unit is fitted with an emergency overflow connection.

ACO Lint Filter range - Three Stage Fine Filtration for Marine Laundries

- For use in larger scale on board laundry facilities
- Removable filter basket(s)
- Removable intermediate filter screen(s)
- Surge flow and motion baffle
- Integral 3rd stage fixed screen at outlet
- Removable cover sections for inspection & cleaning
- Available in either brushed AISI 316 stainless steel or ACO Durable Polymer Material (ACO PPFR Grey)
- Bespoke solutions for larger capacity or increased number of drain inlets are available



Technical information

ACO Lint Filter	ALF-1 AISI 316	ALF-2 AISI 316	ALF-3 AISI 316
Capacity [l]	200	300	480
Inlets	1	2	3
Major Dimensions [mm] (L x W x H)	819 x 726 x 637	1410 x 726 x 590	1910 x 726 x 590
Flowrate [l/s]	2	4	6

ACO Lint Filter	ALF-1 PPFR	ALF-2 PPFR	ALF-3 PPFR
Capacity [l]	200	300	480
Inlets	1	2	3
Major Dimensions [mm] (L x W x H)	870 x 775 x 687	1460 x 775 x 640	1960 x 775 x 640
Flowrate [l/s]	2	4	6

CONTACT

Headquarters

ACO Marine s.r.o.

Nadrazni 72
 CZ - 150 00 Praha 5
 Czech Republic
 Tel.: +420 257 217 990

e-mail: acomarine@acomarine.com
www.acomarine.com